

Ayame Design Studio Portfolio

AYAME DESIGN STUDIO PROPRIETARY INFORMATION

THIS DOCUMENT CONTAINS PROPRIETARY INFORMATION AND EXCEPT WITH THE WRITTEN PERMISSION OF AYAME DESIGN STUDIO, SUCH INFORMATION SHALL NOT BE PUBLISHED OR DISCLOSED TO OTHERS OR USED FOR ANY PURPOSE AND THE DOCUMENT SHALL NOT BE COPIED IN WHOLE OR IN PART.

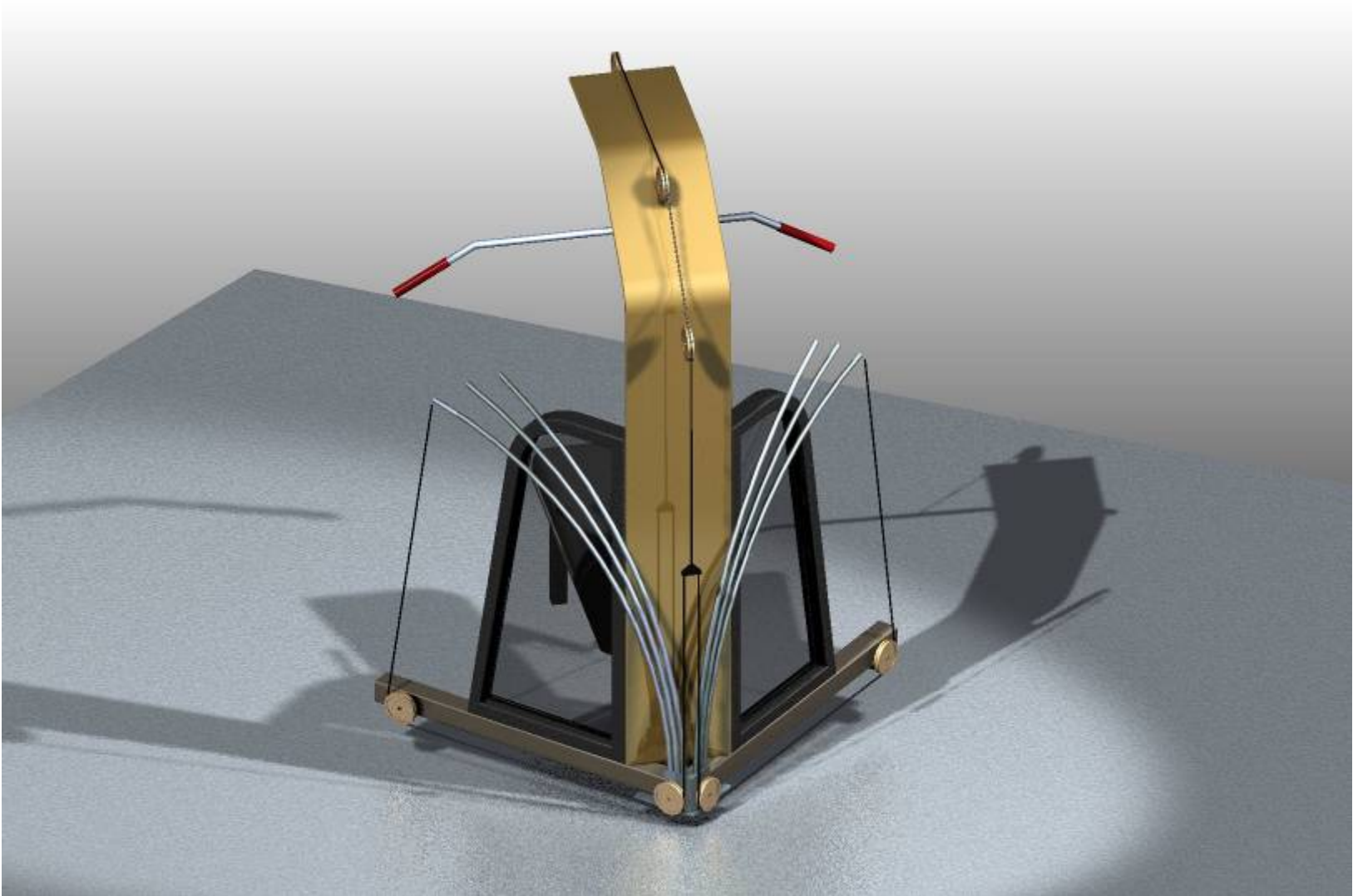
**COPYRIGHT © 2007 AYAME DESIGN STUDIO
UNPUBLISHED WORK – ALL RIGHTS RESERVED**



AYAME DESIGN STUDIO PROPRIETARY INFORMATION

THIS DOCUMENT CONTAINS PROPRIETARY INFORMATION AND EXCEPT WITH THE WRITTEN PERMISSION OF AYAME DESIGN STUDIO, SUCH INFORMATION SHALL NOT BE PUBLISHED OR DISCLOSED TO OTHERS OR USED FOR ANY PURPOSE AND THE DOCUMENT SHALL NOT BE COPIED IN WHOLE OR IN PART.

**COPYRIGHT © 2007 AYAME DESIGN STUDIO
UNPUBLISHED WORK – ALL RIGHTS RESERVED**



AYAME DESIGN STUDIO PROPRIETARY INFORMATION

THIS DOCUMENT CONTAINS PROPRIETARY INFORMATION AND EXCEPT WITH THE WRITTEN PERMISSION OF AYAME DESIGN STUDIO, SUCH INFORMATION SHALL NOT BE PUBLISHED OR DISCLOSED TO OTHERS OR USED FOR ANY PURPOSE AND THE DOCUMENT SHALL NOT BE COPIED IN WHOLE OR IN PART.

**COPYRIGHT © 2007 AYAME DESIGN STUDIO
UNPUBLISHED WORK – ALL RIGHTS RESERVED**



AYAME DESIGN STUDIO PROPRIETARY INFORMATION

THIS DOCUMENT CONTAINS PROPRIETARY INFORMATION AND EXCEPT WITH THE WRITTEN PERMISSION OF AYAME DESIGN STUDIO, SUCH INFORMATION SHALL NOT BE PUBLISHED OR DISCLOSED TO OTHERS OR USED FOR ANY PURPOSE AND THE DOCUMENT SHALL NOT BE COPIED IN WHOLE OR IN PART.

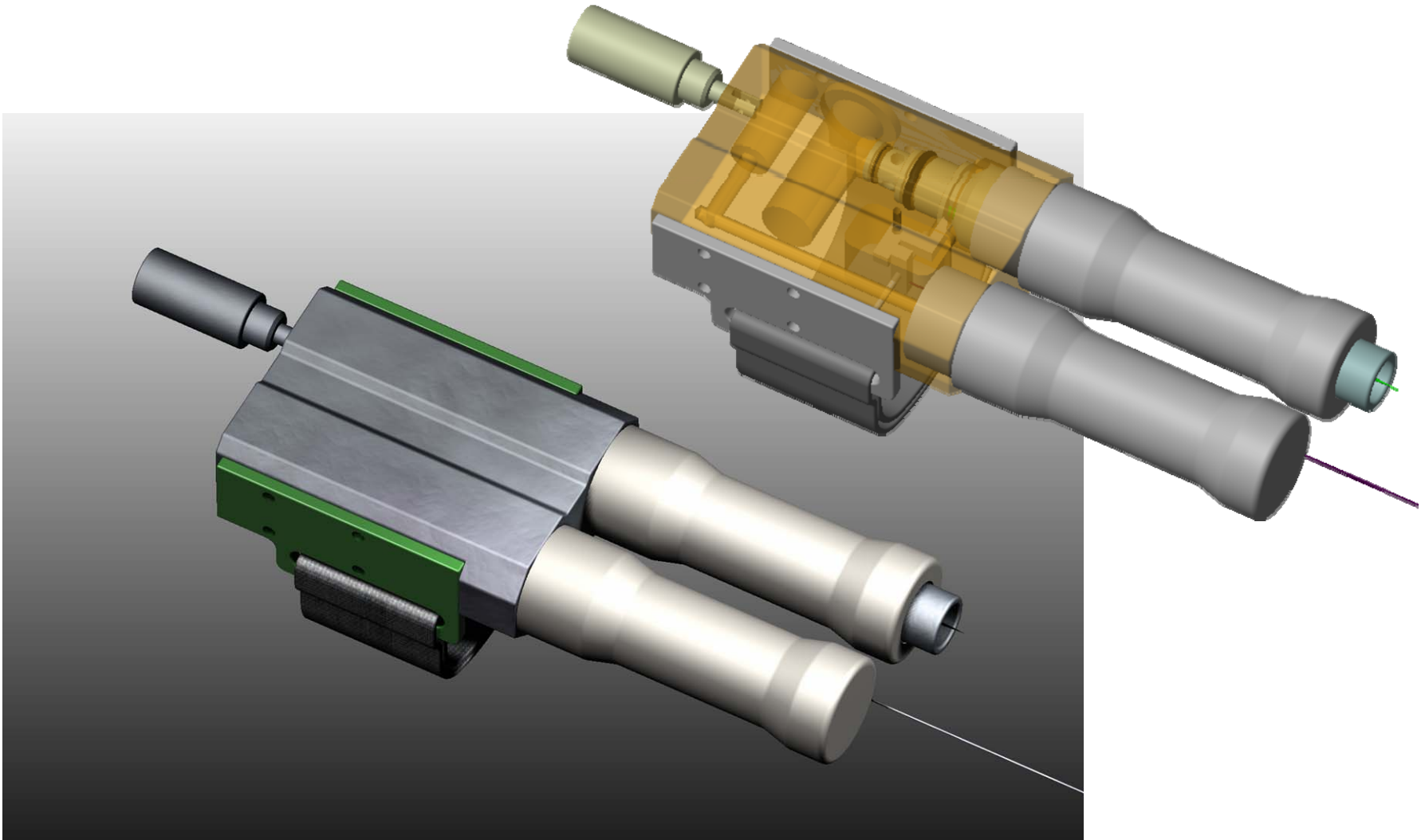
**COPYRIGHT © 2007 AYAME DESIGN STUDIO
UNPUBLISHED WORK – ALL RIGHTS RESERVED**



AYAME DESIGN STUDIO PROPRIETARY INFORMATION

THIS DOCUMENT CONTAINS PROPRIETARY INFORMATION AND EXCEPT WITH THE WRITTEN PERMISSION OF AYAME DESIGN STUDIO, SUCH INFORMATION SHALL NOT BE PUBLISHED OR DISCLOSED TO OTHERS OR USED FOR ANY PURPOSE AND THE DOCUMENT SHALL NOT BE COPIED IN WHOLE OR IN PART.

**COPYRIGHT © 2007 AYAME DESIGN STUDIO
UNPUBLISHED WORK – ALL RIGHTS RESERVED**



AYAME DESIGN STUDIO PROPRIETARY INFORMATION

THIS DOCUMENT CONTAINS PROPRIETARY INFORMATION AND EXCEPT WITH THE WRITTEN PERMISSION OF AYAME DESIGN STUDIO, SUCH INFORMATION SHALL NOT BE PUBLISHED OR DISCLOSED TO OTHERS OR USED FOR ANY PURPOSE AND THE DOCUMENT SHALL NOT BE COPIED IN WHOLE OR IN PART.

**COPYRIGHT © 2007 AYAME DESIGN STUDIO
UNPUBLISHED WORK – ALL RIGHTS RESERVED**



AYAME DESIGN STUDIO PROPRIETARY INFORMATION

THIS DOCUMENT CONTAINS PROPRIETARY INFORMATION AND EXCEPT WITH THE WRITTEN PERMISSION OF AYAME DESIGN STUDIO, SUCH INFORMATION SHALL NOT BE PUBLISHED OR DISCLOSED TO OTHERS OR USED FOR ANY PURPOSE AND THE DOCUMENT SHALL NOT BE COPIED IN WHOLE OR IN PART.

**COPYRIGHT © 2007 AYAME DESIGN STUDIO
UNPUBLISHED WORK – ALL RIGHTS RESERVED**



AYAME DESIGN STUDIO PROPRIETARY INFORMATION

THIS DOCUMENT CONTAINS PROPRIETARY INFORMATION AND EXCEPT WITH THE WRITTEN PERMISSION OF AYAME DESIGN STUDIO, SUCH INFORMATION SHALL NOT BE PUBLISHED OR DISCLOSED TO OTHERS OR USED FOR ANY PURPOSE AND THE DOCUMENT SHALL NOT BE COPIED IN WHOLE OR IN PART.

**COPYRIGHT © 2007 AYAME DESIGN STUDIO
UNPUBLISHED WORK – ALL RIGHTS RESERVED**



AYAME DESIGN STUDIO PROPRIETARY INFORMATION

THIS DOCUMENT CONTAINS PROPRIETARY INFORMATION AND EXCEPT WITH THE WRITTEN PERMISSION OF AYAME DESIGN STUDIO, SUCH INFORMATION SHALL NOT BE PUBLISHED OR DISCLOSED TO OTHERS OR USED FOR ANY PURPOSE AND THE DOCUMENT SHALL NOT BE COPIED IN WHOLE OR IN PART.

**COPYRIGHT © 2007 AYAME DESIGN STUDIO
UNPUBLISHED WORK – ALL RIGHTS RESERVED**



AYAME DESIGN STUDIO PROPRIETARY INFORMATION

THIS DOCUMENT CONTAINS PROPRIETARY INFORMATION AND EXCEPT WITH THE WRITTEN PERMISSION OF AYAME DESIGN STUDIO, SUCH INFORMATION SHALL NOT BE PUBLISHED OR DISCLOSED TO OTHERS OR USED FOR ANY PURPOSE AND THE DOCUMENT SHALL NOT BE COPIED IN WHOLE OR IN PART.

**COPYRIGHT © 2007 AYAME DESIGN STUDIO
UNPUBLISHED WORK – ALL RIGHTS RESERVED**

Mechanical Design - Computer Animation - New Media Design



Tom M. Hikido

15507 normandie avenue

pmb 486

gardenia, california 90247-4028

tel: 310-505-6495

fax: 310-327-2312

e-mail: TomHikido@AyameDesign.com

www.AyameDesign.com

AYAME DESIGN STUDIO PROPRIETARY INFORMATION

THIS DOCUMENT CONTAINS PROPRIETARY INFORMATION AND EXCEPT WITH THE WRITTEN PERMISSION OF AYAME DESIGN STUDIO, SUCH INFORMATION SHALL NOT BE PUBLISHED OR DISCLOSED TO OTHERS OR USED FOR ANY PURPOSE AND THE DOCUMENT SHALL NOT BE COPIED IN WHOLE OR IN PART.

**COPYRIGHT © 2007 AYAME DESIGN STUDIO
UNPUBLISHED WORK – ALL RIGHTS RESERVED**